

Brass fittings, double thread, with side grounding terminal



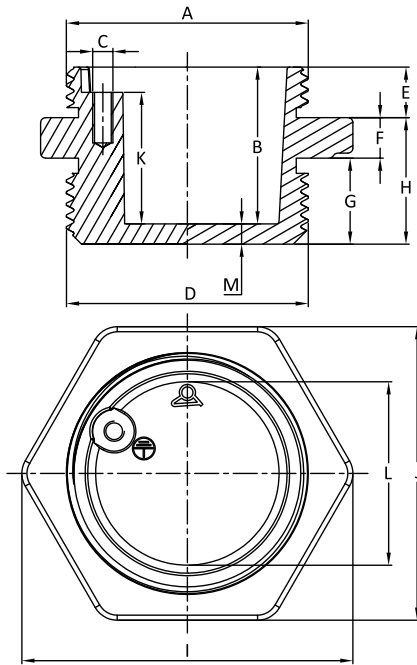
Because of permanent improvement of our products, drawings, descriptions, features used on these data sheets are for guidance only and can be modified without prior advice

Minimum Size	Maximum Size	Material	Type	Model
1 1/2"	M77x2	Brass	Double thread, side ground	66RC

Compatible accessories		
<input checked="" type="checkbox"/> 66JP	<input checked="" type="checkbox"/> 66NL	
<input checked="" type="checkbox"/> 66JF	<input checked="" type="checkbox"/> 66XN	
Compatible enclosures		
<input checked="" type="checkbox"/> Y303	<input checked="" type="checkbox"/> Y3P5	<input checked="" type="checkbox"/> Y3N2
<input checked="" type="checkbox"/> Y304	<input checked="" type="checkbox"/> Y3P6	<input checked="" type="checkbox"/> Y3N3
<input checked="" type="checkbox"/> Y305	<input checked="" type="checkbox"/> Y3H1	<input checked="" type="checkbox"/> Y3N4
<input checked="" type="checkbox"/> Y306	<input checked="" type="checkbox"/> Y3H2	<input checked="" type="checkbox"/> Y3L1
<input checked="" type="checkbox"/> Y307	<input checked="" type="checkbox"/> Y3H3	<input checked="" type="checkbox"/> Y3L3
<input checked="" type="checkbox"/> Y309	<input checked="" type="checkbox"/> Y3J1	<input checked="" type="checkbox"/> Y3S3
<input checked="" type="checkbox"/> Y310	<input checked="" type="checkbox"/> Y3J2	<input checked="" type="checkbox"/> Y3S5
<input checked="" type="checkbox"/> Y3P1	<input checked="" type="checkbox"/> Y3G1	<input checked="" type="checkbox"/> Y3SA
<input checked="" type="checkbox"/> Y3P3	<input checked="" type="checkbox"/> Y3G2	<input checked="" type="checkbox"/> Y3S7
<input checked="" type="checkbox"/> Y3P4	<input checked="" type="checkbox"/> Y3N1	



	1-1/2"	M45x2	2"	2-1/2"	M77x2
A	1-1/2"	M45x2	2"	2-1/2"	M77x2
B	31	31	34	34	34
C	M4	M4	M5	M5	M5
D	1-1/2"	M45x2	2"	2-1/2"	M77x2
E	10	10	10	10	10
F	8	8	8	8	8
G	17	17	20	20	20
H	25	25	28	28	28
I	65.5	65.5	79.5	102.5	102.5
J	Hex 58	Hex 58	Hex 70	Hex 90	Hex 90
K	26	26	28	28	28
L	Ø36	Ø36	Ø50	Ø66	Ø66
M	4	4	4	4	4



Main references

Dimension	References	Dimension	References
1-1/2"	66RCA3T0000000000	2-1/2"	66RCA700000000000
M45x2	66RCMD0000000000	M77x2	66RCMG0000000000
2"	66RCA500000000000		

Red dimensions inside rectangular frames are used for assembly on enclosures or on fittings.